



ORION | AP3-P3

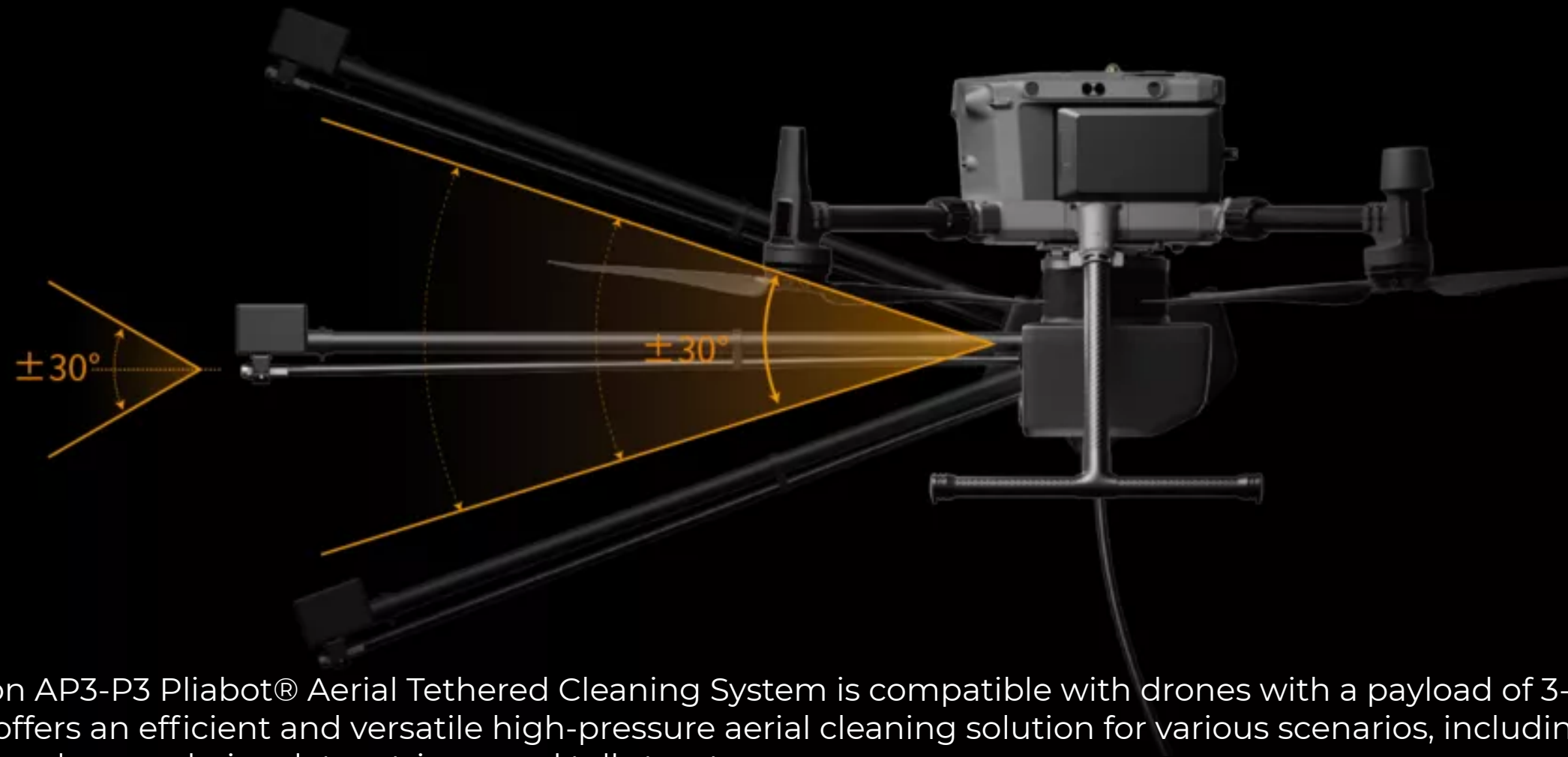
Pliabot® Aerial Tethered Cleaning System



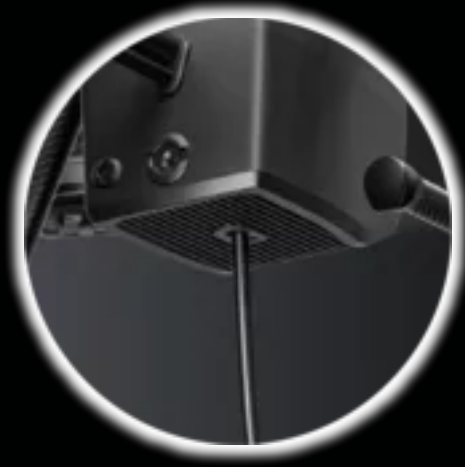
Product

Highlights

Efficiency | 7.5l/min 8MPa Quick Cleaning,
Supports Continuous Operations



The Orion AP3-P3 Pliabot® Aerial Tethered Cleaning System is compatible with drones with a payload of 3-10kg (6-22lb). It offers an efficient and versatile high-pressure aerial cleaning solution for various scenarios, including building exteriors, solar panels, insulator strings, and tall structures.



Supports Tethered Water
Supply Operations



7.5 \square /min Quick Cleaning



Seamless Flight Control
Integration



8MPa Maximum Pressure



1 min Quick Installation

Versatility | Suitable for Narrow Spaces with Adaptable and Highly-flexible Nozzles

Fits 3-10kg (6-22lb) Payload Drones

Compact and lightweight design allows navigation and operation through narrow spaces.



High-altitude Stable Operation

50m (164ft) max flight height, meets various high-altitude cleaning needs.



Modular Nozzles

Adapts to various tasks with the bestsuited nozzle, meeting the needs in different scenarios.



Multi-angle Coverage for Complex Surfaces

Easily cleans bottom and top surfaces through adjustable nozzles.



Safety | Replaces Manual High-altitude Operations

Replacing Manual High-altitude Operation

Remote operation eliminates risks associated with manual high-altitude tasks.



Adaptive Balance

Pliable gimbal can adaptively eliminate sway caused by lateral operations and effectively counteract flight interference from spray recoil, ensuring operational safety.



Laser Real-time Distance Detection

The detection module displays real-time operational distance for stable and optimal spraying, with a maximum effective range of up to 3 meters.





Bangalore:
330, 27th Main Rd, Sector 2, HSR
Layout, Pin : 560102

New Delhi:
Q-3 Lajpat Nagar-IV Near Rama
Gallery Nirman Colony - 110024



hello@xboom.in



www.xboom.in



084478 31821

GST No : 29CTKPS7090H1ZW